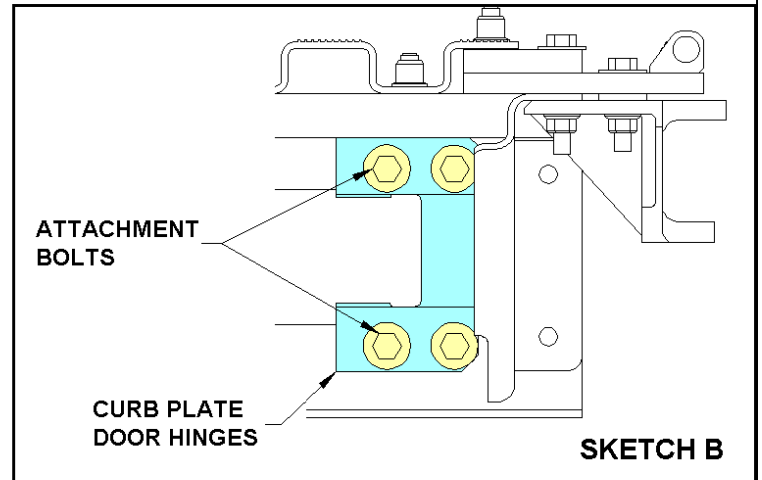
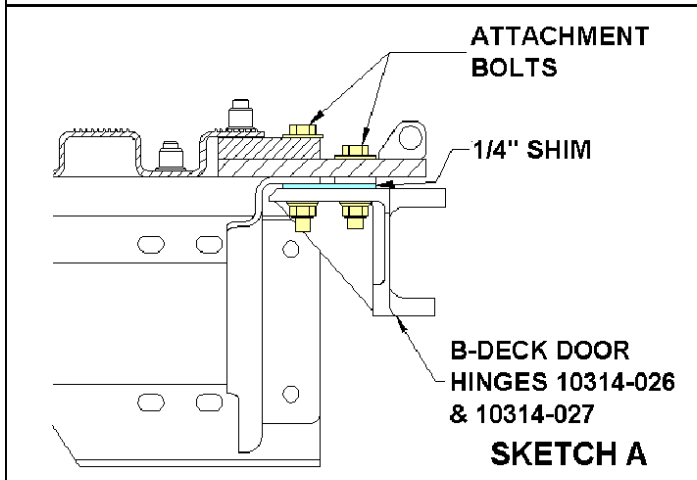
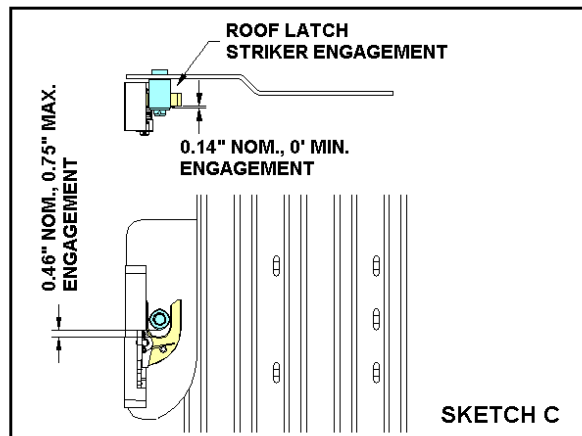


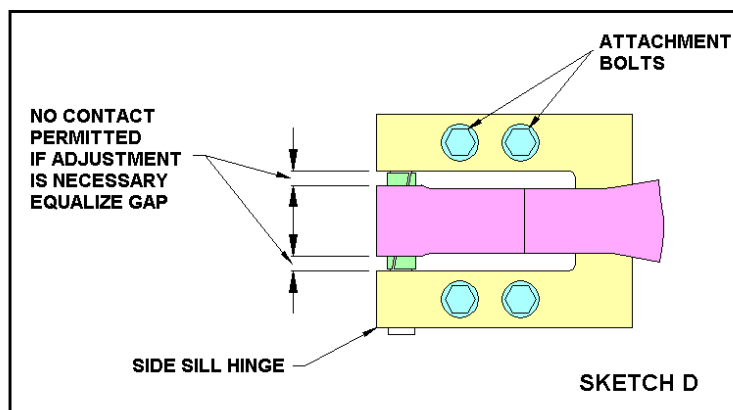
1. With doors partly open, mark the location of the B-deck hinge to the underside of the B-deck with a marker. Loosen the attachment bolts and remove the 4 hole, 1/4" thick shim located between the hinge casting and deck. Do not remove all of the bolts at one time. Remove in a pattern so that the shim, hinge and door will not fall away from the deck. Once shim is removed, align hinge to marked location and tighten bolts respectively. See Sketch A.
2. With doors closed, mark the location of the curb plate hinge to the side wall with a marker. Loosen the attachment bolts and move the hinge up vertically 1/4". Once adjusted, retighten the bolts. See Sketch B.



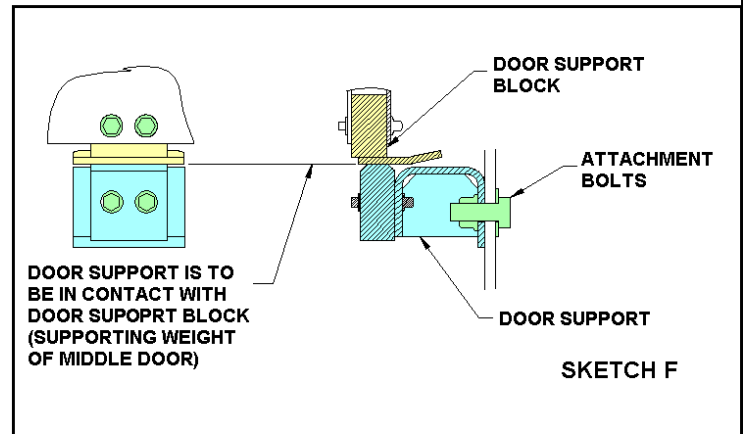
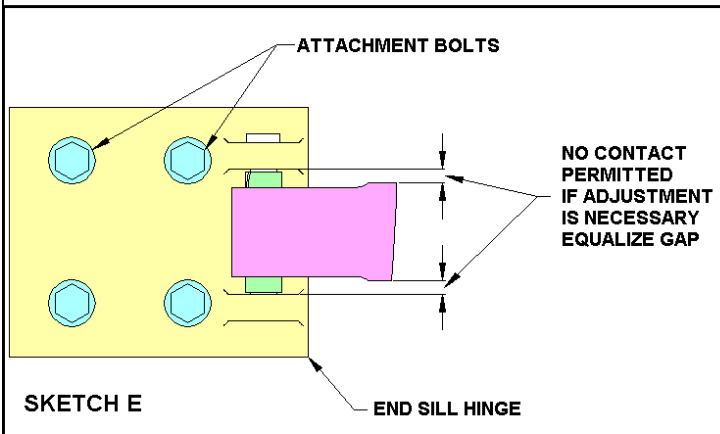
3. If adjustment is needed, readjust roof lock striker engagement as shown in Sketch C. Note the minimum engagement tolerances.



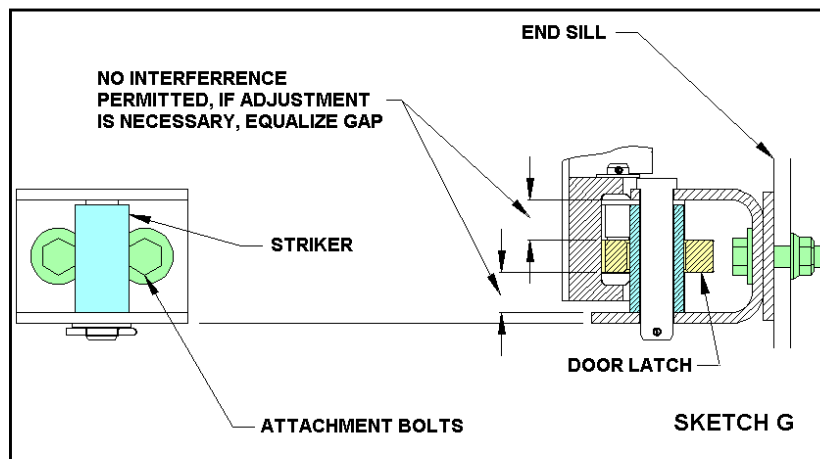
4. If adjustment is needed, loosen the four attachment bolts securing the hinge to the side sill. Readjust hinge as shown in Sketch D and retighten bolts.



5. If adjustment is needed, loosen the four attachment bolt securing the hinge to the end sill. Readjust the hinge as shown in Sketch E and retighten bolts.
- If adjustment is needed, loosen the two attachment bolts securing the door support to the end sill.
6. Readjust the support as shown in Sketch F and retighten bolts.



7. If adjustment is needed, loosen the two attachment bolts securing striker to the end sill. Readjust the striker as shown in Sketch G and retighten bolts. The same horizontal engagement tolerance shown on the roof latch (Sketch C) is also required here.



8. If adjustment is needed, loosen the two attachment bolts securing striker to the B-deck. Readjust the striker as shown in Sketch H and retighten bolts. The same horizontal engagement tolerance shown on the roof latch (Sketch C) is also required here.

